

R4-10 Rotary Latch

Small · Concealed · Dual trigger · Single and two stage

Features

- Single or multi-point latch capability
- Compatible with wide array of actuators
- EN 45545-3 E60 compliant (standard version only)
- Integrated bumper version for anti-vibration feature

Material

- Steel, zinc plated

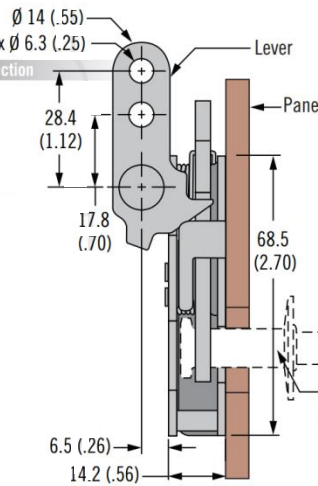
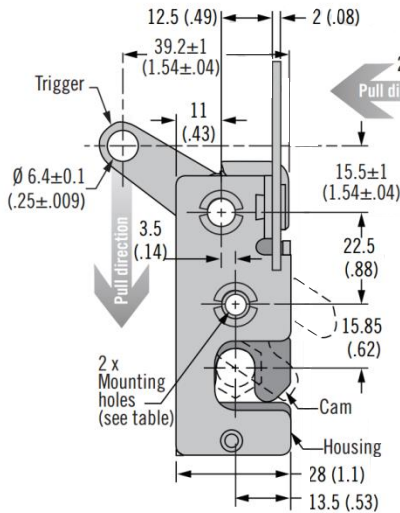
Product Performance

- Average ultimate load: 4,500 N



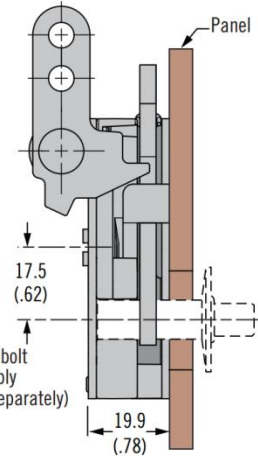
Single Stage - Dual Trigger - Bottom

(left hand actuation shown)



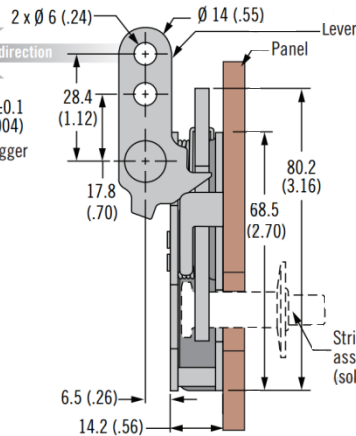
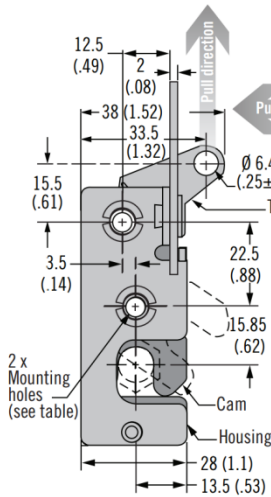
Integrated Bumper Version

(dimensions same as standard version except as shown)



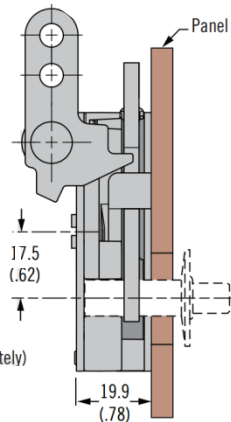
Single Stage - Dual Trigger - Top

(left hand actuation shown)



Integrated Bumper Version

(dimensions same as standard version except as shown)



Notes

- Striker bolts for standard version and integrated bumper version are different (sold separately)
- Cables and retainer clips - contact Gripwell sales
- Trigger: use retaining clip R4-0-43922-2
- Lever: use retaining clip R4-0-43922

S Stage & Actuation

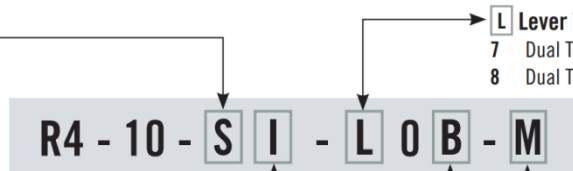
- 1 Single stage, right hand
- 2 Single stage, left hand
- 3 Two stage, right hand
- 4 Two stage, left hand

I Mounting Style

- 0 Ø7.2 (.283) thru
- 1 1/4-20 thread
- 2 M6 x 1 thread

L Lever Type

- 7 Dual Trigger, Bottom
- 8 Dual Trigger, Top



B Base Style

- 1 Standard
- 5 Integrated bumper version

M Material

- 10 Steel

R4 Striker Bolt

Small - Installation

Features

- Striker bolt for R4-10 series rotary latch

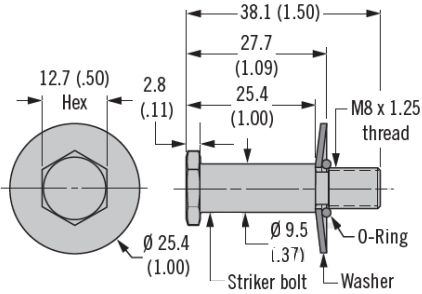
Material

- Steel, zinc plated or stainless steel



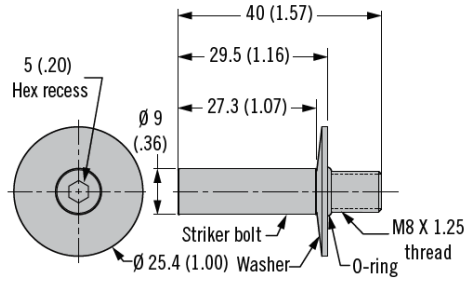
Striker Bolt Assembly - Standard

(sold separately)



Striker Bolt Assembly - Integrated Bumper

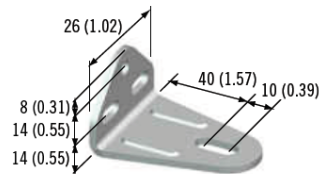
(sold separately)



Striker 90° Mounting Bracket

Striker Bolt Part Number - Standard	
Part Number	Material
R4-90-121-10	Steel
R4-90-121-20	Stainless Steel
Striker Bolt Part Number - Integrated Bumper Version	
R4-90-124-10	Steel
R4-90-124-20	Stainless Steel

Striker Mounting Bracket Part Number
R4-0-50114



Operation

